

ACCUSW 3 (version 4.10)

Operating data:

Dimensions:	22 × 27 × 6 mm	Max. current:	6 A (10 A peak)
Weight :	13 g	switching voltage for 4 cells:	≈ 3,80 V
Temperature of the environment:	0°C to 40°C	switching voltage for 5 cells:	≈ 4,25 V
No. of feeding NiCd / NiMH cells:	4 or 5	On-state switch resistance at 25 °C and 5V:	≈ 13 mΩ

The appearance and operating data may be changed without prior notice.

These switches are used for automatic switch-over of dead master receiver batteries to the spare ones. The switch, using two LEDs, indicates from which battery the energy is being drawn - the green LED illuminates during normal operation from master batteries, the red LED illuminates after switch-over to the spare batteries. At this point there is a need to recharge the master accumulator. Eventual switch failure nowise affects its functioning. What is of great importance is the increased safety of model operation, which is particularly desirable when operating bigger models. Minus potential (ground) is common for all connections.

The both accumulator must have the same number of cells. The capacitancy of the spare accumulators may be smaller than the capacitance of the master ones.

ACCUSW 3 is equipped with a connector, which is used for setting the number of cells of feeding batteries.

- connector **shorted**: 4-cells battery packs chosen
- connector **open**: 5-cells battery packs chosen

Instructions for use:

The battery may be connected in any order. **Switching-on is done by turning-off the switch.** At this point, the both LEDs 2× blinking and green LED stay illuminated and the device is ready – receiver and servos are supply from the master battery. If red LED is blinking, voltage of some batteries is over limits (higher or bellow then set). If not connect emergency battery, no LEDs lighting or blinking. If the red LED is still illuminated it is possible that the master accu is discharged. We recommend you to solder electrolytic capacitor of 100 up to 470 μF / 10 up to 16 V to the lead-in wires of the battery if the batteries are not “hard” enough (they have high inner resistance cells).

EASY TEST OF FUNCTIONING:

- 1) turn on the switch, LEDs blinking, green LED stay light. Disconnect the master battery – immediate switch over to the emergency battery must occur (green → red)
- 2) If the battery are fully charged switch-over to the emergency ones should not occur even when all servos are moving. If in this case the switch-over occurs the accumulators are too low for usage (low capacitance, great inner resistance) or they are discharged. You may solder the capacitors or you should use accumulator with bigger capacitance or with lower inner resistance.

Error message: For bad batteries, for discharged batteries, for wrong number of batteries red LED is blinking.
Supply of servos and receiver is ON and OFF – you can see this state on servos moving.



WARNING:

You risk destroying the switch for:

- connect more battery cells to the switch than the max. number specified in the technical data
- reverse connections to the accumulator
- short-circuit the output wires with the accumulator connected
- current overload
- water in the switch or metal objects in the switch (screwdrivers, wires, etc.)

SAFETY WARNING: Always disconnect both battery packs when not using model. Even switched off ACCUSW 3 draws small current from batteries.

ACCUSW 3 (version 4.10)

Operating data:

Dimensions:	22 × 27 × 6 mm	Max. current:	6 A (10 A peak)
Weight :	13 g	switching voltage for 4 cells:	≈ 3,80 V
Temperature of the environment:	0°C to 40°C	switching voltage for 5 cells:	≈ 4,25 V
No. of feeding NiCd / NiMH cells:	4 or 5	On-state switch resistance at 25 °C and 5V:	≈ 13 mΩ

The appearance and operating data may be changed without prior notice.

These switches are used for automatic switch-over of dead master receiver batteries to the spare ones. The switch, using two LEDs, indicates from which battery the energy is being drawn - the green LED illuminates during normal operation from master batteries, the red LED illuminates after switch-over to the spare batteries. At this point there is a need to recharge the master accumulator. Eventual switch failure nowise affects its functioning. What is of great importance is the increased safety of model operation, which is particularly desirable when operating bigger models. Minus potential (ground) is common for all connections.

The both accumulator must have the same number of cells. The capacitancy of the spare accumulators may be smaller than the capacitance of the master ones.

ACCUSW 3 is equipped with a connector, which is used for setting the number of cells of feeding batteries.

- connector **shorted**: 4-cells battery packs chosen
- connector **open**: 5-cells battery packs chosen

Instructions for use:

The battery may be connected in any order. **Switching-on is done by turning-off the switch.** At this point, the both LEDs 2× blinking and green LED stay illuminated and the device is ready – receiver and servos are supply from the master battery. If red LED is blinking, voltage of some batteries is over limits (higher or bellow then set). If not connect emergency battery, no LEDs lighting or blinking. If the red LED is still illuminated it is possible that the master accu is discharged. We recommend you to solder electrolytic capacitor of 100 up to 470 μF / 10 up to 16 V to the lead-in wires of the battery if the batteries are not “hard” enough (they have high inner resistance cells).

EASY TEST OF FUNCTIONING:

- 3) turn on the switch, LEDs blinking, green LED stay light. Disconnect the master battery – immediate switch over to the emergency battery must occur (green → red)
- 4) If the battery are fully charged switch-over to the emergency ones should not occur even when all servos are moving. If in this case the switch-over occurs the accumulators are too low for usage (low capacitance, great inner resistance) or they are discharged. You may solder the capacitors or you should use accumulator with bigger capacitance or with lower inner resistance.

Error message: For bad batteries, for discharged batteries, for wrong number of batteries red LED is blinking.
Supply of servos and receiver is ON and OFF – you can see this state on servos moving.



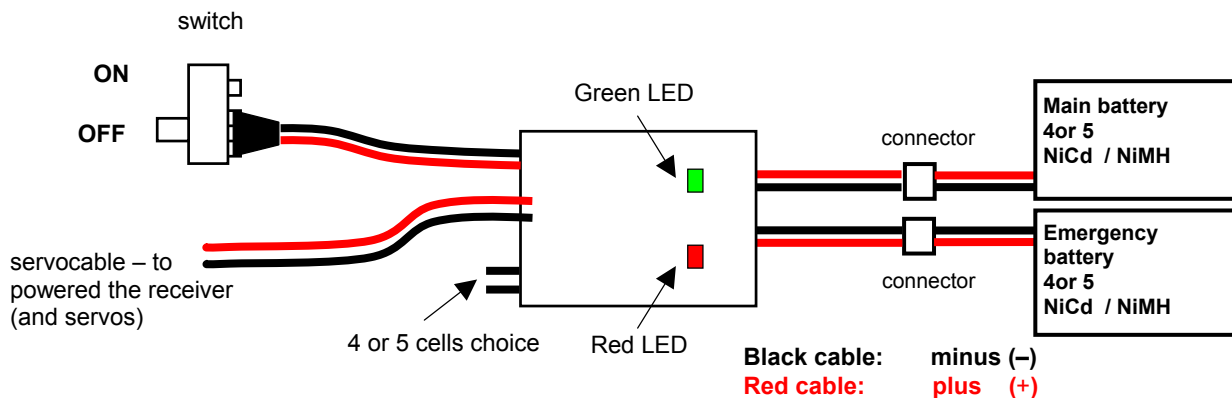
WARNING:

You risk destroying the switch for:

- connect more battery cells to the switch than the max. number specified in the technical data
- reverse connections to the accumulator
- short-circuit the output wires with the accumulator connected
- current overload
- water in the switch or metal objects in the switch (screwdrivers, wires, etc.)

SAFETY WARNING: Always disconnect both battery packs when not using model. Even switched off ACCUSW 3 draws small current from batteries.

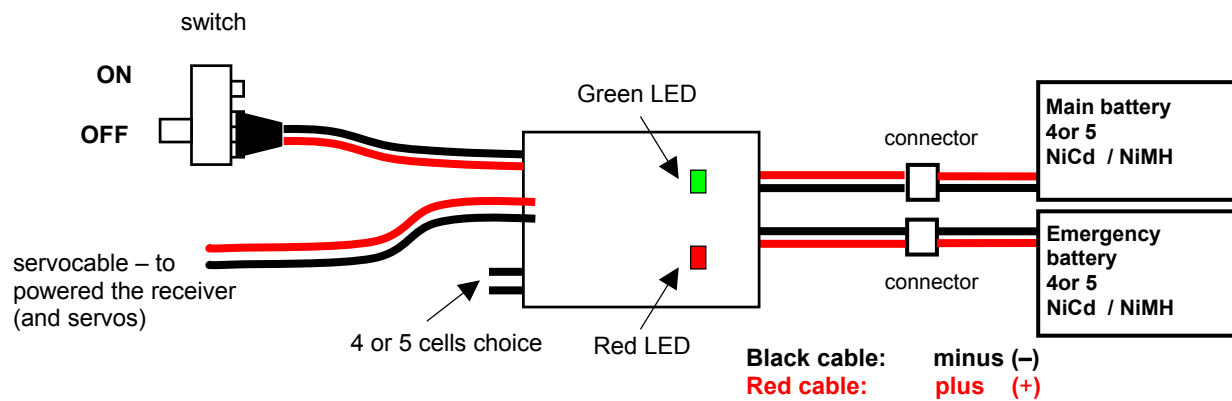
ACCUSW 3
(from the LED side)



Development, manufacture and servis:

Ing. G. Dvorský, MGM compro, Tel.:+420 577001350, fax.:+420 577001348
Sv. Čecha 593, 760 01 Zlín E-mail: mgm@mgm-compro.cz
CZECH REPUBLIC Info: www.mgm-compro.com

ACCUSW 3
(from the LED side)



Development, manufacture and servis:

Ing. G. Dvorský, MGM compro, Tel.:+420 577001350, fax.:+420 577001348
Sv. Čecha 593, 760 01 Zlín E-mail: mgm@mgm-compro.cz
CZECH REPUBLIC Info: www.mgm-compro.com